

BLANCO

The Appliance of Science

GR 08 N

GR 08 N TWIN

OPERATING INSTRUCTIONS

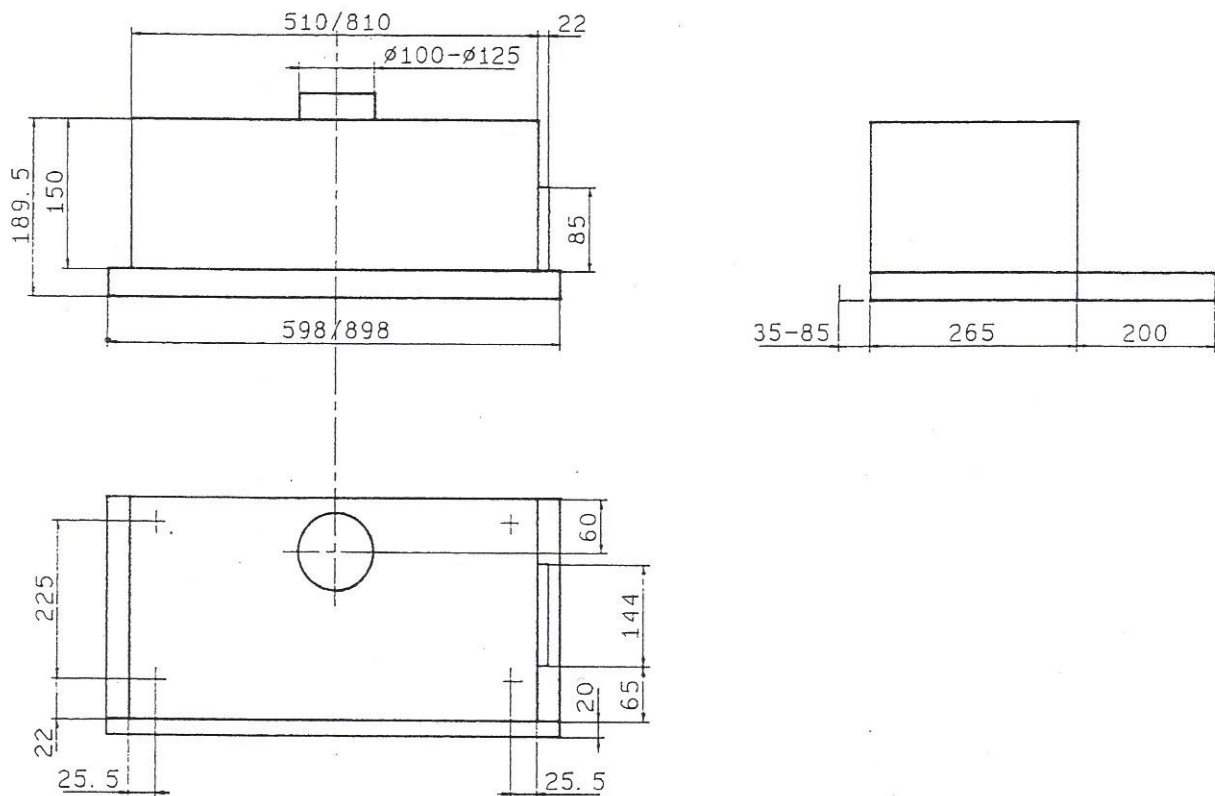


FIG. 1

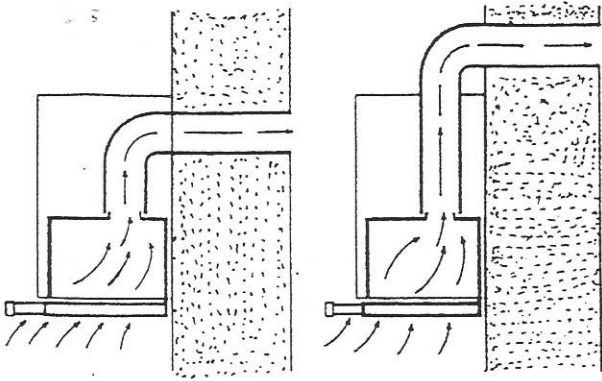


FIG. 2

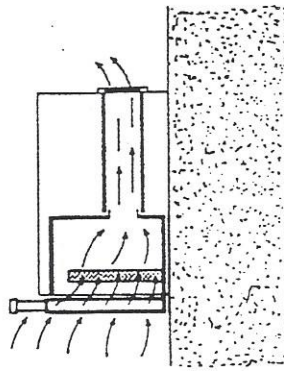


FIG. 3

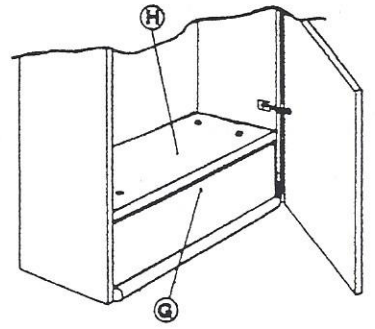


FIG. 4

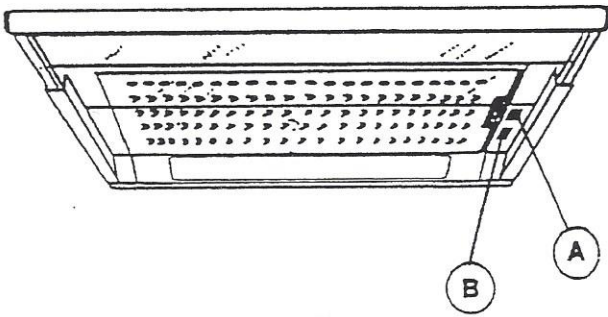
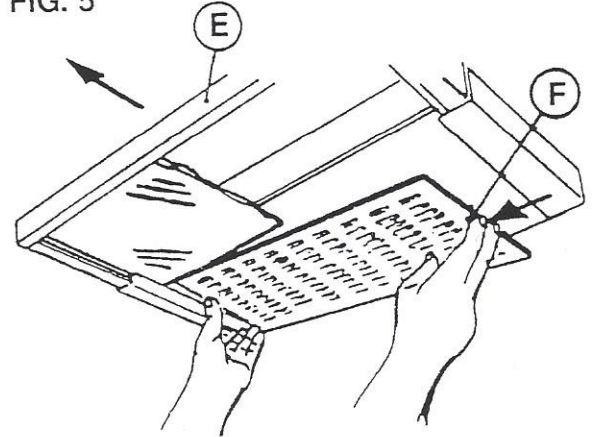


FIG. 5



versione version version Ausführung	(A)	(B)
2 velocità 2 speed 2 vitesses 2 Stufe		

FIG. 6

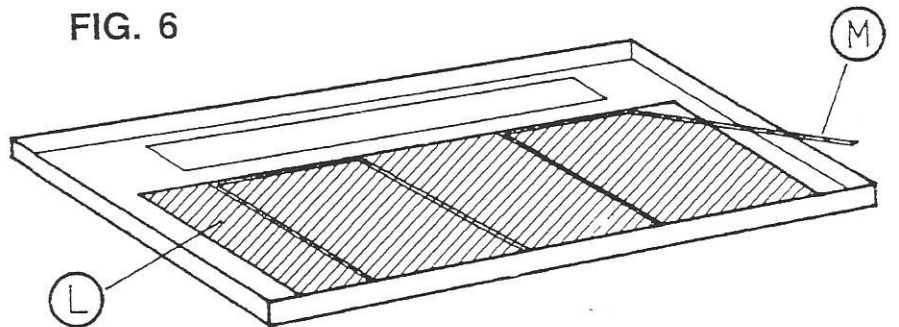


FIG. 7

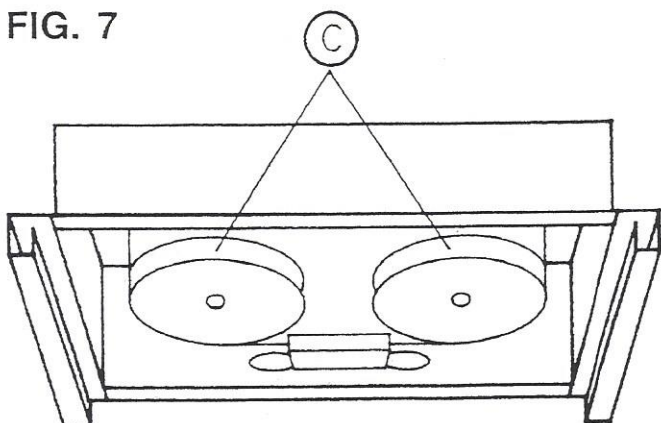
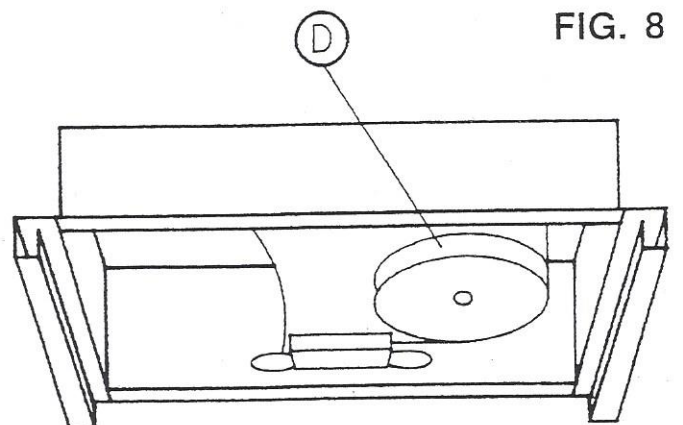


FIG. 8



INSTALLATION INSTRUCTIONS

PLEASE READ ALL INSTRUCTIONS CAREFULLY BEFORE COMMENCING INSTALLATION. CHECK THAT THE ELECTRICAL SUPPLY DATA QUOTED ON THE RATING PLATE OF THE APPLIANCE AGREES WITH THAT OF YOUR SUPPLY. (SEE NOTE "SAFETY REQUIREMENTS" OVERLEAF).

Description of your equipment

The cookerhood is suitable to extract air or re-circulate it.

If the possibility exists for the re-circulation of air then it is advisable to use an exit tube for this last thing. In this way most of the steam and cooking smells made by cooking and frying are eliminated. A fat and grease filter can be put into the cooker hood which will absorb the particles of fat leaving your kitchen furnitures and walls free from the smell of cooking fats.

When the hood is used as a filter an air odour filter must be fitted. The air sucked in by the hood with its vapours and smells is passed through the filter for fat and then to the odour filter.

The effect of the odour filter (with carbon activator) is the best possible.

Technical data

Electrical supply	: Gr08N = motor 130 Watt -- Gr08N Twin = 2 motors of 130 Watt each
Lighting	: Gr08N = 2 x 40 Watt -- Gr08N Twin = 2 x 40 Watt
Total supply needed	: Gr08N = 210W/240V~50Hz -- Gr08N Twin = 340W/240V~50Hz
Air capacity	: Gr08N = 270 m ³ /h -- Gr08N Twin = 540 m ³ /h measured in a free position at the outlet of the equipment.
Electrical connection	: permanently connected 1,4m long power cable with 2 pin plug. The power plug should always be withdrawn before carrying out any work. Double insulated, do not earth.

Instruction for use

The cooker hood should be put on a few minutes after the cooking has begun. The filters for grease and smells are more efficient if left on for about 5/10 minutes after cooking has finished.

Attention: The frying and heating of cooking oils should be continuously checked because oils heated to blue flame or smoking point are easily ignited. This ignition of oils flash point is increased if the oil is dirty or has been used. If the cooker hood is being used near a gas heater or a gas water heater with a tubed flame then there should be a check made to ensure a sufficient air supply. That is the heaters are on at the same times as the cooker hood.

Operating Instructions

The hood should be switched on at least as soon as cooking is started.

The hood has the following controls (fig. 4):

A - light switch -- B - speed switch

For appliances provided with microswitch, when the vapor flap is pulled out one-third of the way, the light turns on (if the light switch is connected). When the flap is pulled out another two-thirds, the fan turns on (if the motor switch is connected). The hood turns off when the flap is closed, please keep the chosen speed stored.

Filter Version (fig. 2)

This version is used when no exhaust duct to the outdoors is available. The air is purified by an active vegetable carbon filter and recycled into the room. Make sure the carbon odor filter is inserted. The filter hood outlet flange must be connected to a duct which passes through the cabinet and discharges the filtered air.

Attention: The filter should only be used in filter hoods. The exhausted air passes through the active carbon filter and is cleaned. This filter cannot be washed and must be replaced depending on how often the hood is used (about twice a year).

Changing the grease filter (fig. 5 and 6)

Unplug the cooker hood. Pull out the vapor flap (E). Press handle (F) slightly inwards. Remove the grille and free filter (L) from the stops (M) and slip it out. Remount the grid proceeding counter clockwise.

Changing the active carbon odor filter (fig. 7/8)

Take off the grease filter as described mention above. For changing the carbon filter it is sufficient to turn it counter clockwise. As the filter is an optional, the exhausting version can be easily converted by the user into filtering version, following the above mentioned modalities of the instructions-booklet. Clean the outside of the hood with a sponge soaked with liquid neutral detergent or with a cloth soaked with denatured ethyl alcohol. Do not use products containing abrasives. Please note the carbon odour filter is an **optional accessory at an extra cost.**

To install the cooker hood

General Instructions:

The cooker hood must be put up at the centre of the cooking area. The minimum distance between cooking level and the cooker hood must be 600 mm for gas cooker and 470 mm for electric cooker. Important: These distances depend on the standards of the different countries.

Warning: If the room contains a flued fuel burning appliance which is not of the "balanced flue" type-make sure there is an adequate air inlet to the room at all times so that fumes are not draw down the flue.

Exhaust connection (see note "Safety Requirements" overleaf)

The cooker hood should never be connected to a chimney that is used as a smoke or exhaust gas chimney for a heating system that is in current use, and it must not be connected to a ventilation shaft that also serves a showroom for fireplace or stoves. Before the hood is connected to a chimney that once was used as a smoke or exhaust gas chimney but that is no longer used for such a purpose, it is better first to obtain the approval of the responsible fire department. Where hoods are used as exhaust hoods, the air is exhausted either into a ventilation shaft in an upward direction or through an outer wall into the open air. For such a connection one needs a connection opening that will accommodate a duct 10cm (4") or 12.5cm (4" 59/64) diameter.

Installation

Important: The cooker hood should not be operated until it is completely mounted.

Fastening

Note: Make sure the cabinet supports the weight of the hood. Drill holes in the bottom of the cabinet using as a jig the outline enclosed. Make sure the front edge of unit G matches the measurement of panel H of the cabinet (fig. 3). From the inside of the cabinet insert four screws supplied with the hood. If the wall cupboard should be deeper than the appliance, a spacer (with depth as requested) can be fitted with screws on the back part of the hood.

Maintenance

Note: Prior to any maintenance, switch off and disconnected from electrical supply.

- 1) Under normal cooking conditions the grease filter should be cleaned every 10-15 days in hot water, to which a suitable detergent as been added. For reasons of efficiency and safety regular cleaning is advised. The grease filter may be subject to a small amount of shrinkage initially.
- 2) The outer casing of the Cooker Hood should be cleaned with a damp cloth.
- 3) The effective life of the carbon filter will naturally depend on the frequency and type of cooking fumes to which it is subjected. As general guide we suggest that a replacement is fitted at least every 12 months.
- 4) Once a year, (more frequently with heavy usage), call a serviceman to clean the fan and air ducts to prevent build-up of flammable fat deposits.
- 5) If hob illumination lamps need replacing, two 40 Watt Small Edison Screw candle lamps must be used.

Spares

Spares and advise on where to obtain spares locally can be obtained from Spares Department.

Lamp fitting (supplied) (fig. 5).

To change the bulbs, it is sufficient to take off the grease filter (F). If the bulbs fail to light when operating the switch, make sure they are screwed in before calling a technician.

Note: The bulbs must be only "olive"-type.

Safety Requirements

Exhaust air must not be discharged into any chimney, or flue which may carry combustion products from other sources. In addition, exhaust air must not be discharged into a wall cavity unless designed for the purpose. **Double insulated, do not earth!** Note instructions for cleaning fan as note «4» on «MAINTENANCE». Moreover it is important to clean regularly each filter of the hood or replace it.

BLANCO

HEAD OFFICE AND SHOWROOM

1287 - 1289 Malvern Road
MALVERN, VICTORIA 3144
PHONE : (03) 822 0977
FACSIMILE : (03) 822 8492

WAREHOUSE & SPARE PARTS

PHONE : (03) 543 6582
SERVICE : (03) 822 0977

VIC. & N.S.W. SHOWROOMS OPEN 7 DAYS A WEEK

N.S.W. & A.C.T. SALES & SHOWROOM

331 Pacific Highway
CROWS NEST NSW 2065
PHONE : (02) 959 4799
FACSIMILE : (02) 959 4028
SERVICE & SPARE PARTS : (02) 959 4799

W.A. SALES & SHOWROOM

85 Knutsford Avenue
BELMONT W.A. 6104
PHONE : (09) 277 9855
FACSIMILE : (09) 479 4165
SERVICE & SPARE PARTS : (09) 277 9855

QUEENSLAND SALES & SHOWROOM

Showroom 5, 107 Ferry Road
The Brickworks Shopping Plaza
SOUTHPORT QLD 4215
PHONE : (075) 91 3379
FACSIMILE : (075) 91 2792
SERVICE & SPARE PARTS : (075) 91 3379

SOUTH AUSTRALIA

PHONE : (03) 822 0977
FACSIMILE : (03) 822 8492
SERVICE & SPARE PARTS : (03) 543 6582

NORTHERN TERRITORY

10 Totem Road,
Coconut Grove, Darwin, 5792
PHONE : (089) 851 422
FACSIMILE : (089) 851 987

TASMANIA

60 Wilmot Street,
Burnie, 7320
PHONE : (004) 31 1533
FACSIMILE : (004) 31 1407

NEW ZEALAND

279 Kahikatea Drive
HAMILTON, N.Z.
PHONE : (64-7) 847 8629
FACSIMILE : (64-7) 847 4099
SERVICE & SPARE PARTS : (64-7) 847 8629

