

BLANCO V8

WASTE DISPOSER

Use and Care

of your new domestic food waste disposer

Continuous-feed models Nos 051/ 151/ 351/ 451

Instructions pertaining to a risk of fire, electric shock or injury to persons.

READ AND SAVE THESE INSTRUCTIONS

Important safety instructions

Warning - When using electric appliances, basic precautions should always be followed, including the following:

- Read all the instructions before using the appliance.
- To reduce the risk of injury, close supervision is necessary when an appliance is used near children.
- Do not put fingers or hands into a waste disposer.
- Turn the power switch to the off position before attempting to clear a jam or remove an object from the disposer.
- When attempting to loosen a jam in a waste disposer, use a long wooden object such as a wooden spoon or the wooden handle of a broom or mop.
- When attempting to remove an object from the waste disposer, use long-handled tongs or pliers. Only non-magnetic tools should be used.
- To reduce the risk of injury by materials that may

be expelled by a waste disposer, do not put the following into a disposer:

- Clam or oyster shells
- Drain cleaner
- Glass, china or plastic
- Large whole bones
- Metal, such as bottle caps, tin cans or aluminium foil.
- Whole corn cobs
- When not operating a disposer, leave the drain cover in place to reduce the risk of an object falling into the disposer.

WRITE DOWN THE MODEL AND SERIAL NUMBERS

You'll find them on a label located on the side or bottom of the disposer.

Model Number _____

Serial Number _____

Use these numbers in any correspondence or service calls concerning your disposer.

HOW THE DISPOSER WORKS

Food wastes are fed into the disposer through the sink drain opening. The wastes fall into the grinding mechanism and are shredded into particles small enough to be floated away by the cold water running through holes in the flywheel and the strainer around the flywheel. When the shredder impellers on the flywheel strike hard objects such as bones, they will swivel back to reduce the possibility of jamming.

WHAT IT GRINDS

The disposer will grind almost all items of food waste, including vegetable peelings, tea bags, coffee grounds, eggshells, fruit skins, meat leftovers, fish, chicken and chop bones. (We don't recommend you feed it large joint bones)

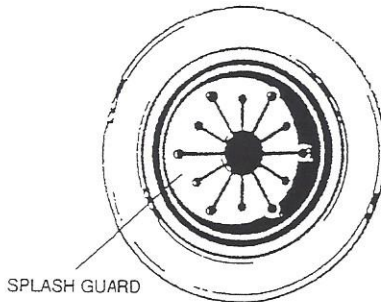
It will even dispose of your ash and cigarette ends.

Mixing different types of waste will improve grinding efficiency.

HOW TO OPERATE YOUR DISPOSER

1. Remove the sink drain plug.

This allows water to flow freely into the disposer and down the drain.



The rubber splash guard in the sink opening and water flowing into the disposer form a shield to keep flying particles inside the unit and permit continuous feeding of food waste when you are operating a disposer.

DO NOT OPERATE DISPOSER UNLESS RUBBER SPLASH GUARD IS IN PLACE.

2. Turn on the cold water.

A flow of cold water assists the grinding, cleans out the disposer, carries food waste through the drain lines and helps keep pipes clean.

3. Turn power switch ON.

4. While disposer is operating and cold water is running feed all food waste down the sink drain through the rubber splash guard.

CAUTION:

NEVER PUSH FINGERS OR WASTE FEEDING TOOLS BEYOND SPLASH GUARD WITH UNIT RUNNING.

5. Allow water to run until waste is gone.

6. Turn power switch OFF.

HOW TO SPEED UP FOOD WASTE DISPOSAL

- Cut up or break up large bones, melon rinds, grapefruit skins, corn cobs and fibrous materials such as pineapple or vegetable stalks before putting them into your disposer.
- Items such as large bones require considerable cutting time in your disposer. You may prefer to put them in the rubbish bin or garbage compacter.
- Do not put clam or oyster shells, artichoke leaves, corn cobs or any non food item into your disposer. These items can cause nuisance tripping off the motor overload control.

CARE AND MAINTENANCE

- Your disposer is permanently lubricated. No oiling is required during the life of the unit.
- Your disposer is self-cleaning when used properly. Always use a flow of cold water and allow the unit to run long enough to do a thorough job of grinding and flushing the food waste throughout each operation.
- To deodorize your disposer, should an odour develop in the unit, run an orange or lemon rind through the disposer. This will dispel unpleasant

odours and leave the disposer with a clean, sweet smell.

- Grinding a dozen or so ice cubes sprinkled with a generous amount of regular household scouring powder also has a cleaning, deodorizing effect. Do not use water when grinding ice cubes.
- To keep drain lines clean, flush out the disposer regularly, as follows:
 1. Operate disposer to eliminate any food waste in disposer.
 2. Seal sink drain and run two to three inches of water in the sink
 3. Remove sink drain plug and allow sink to drain naturally

IMPORTANT:

THE DISPOSER IS NOT INTENDED FOR GRINDING HARD MATERIALS, SUCH AS GLASS AND METAL.

QUESTIONS? USE THIS PROBLEM SOLVER

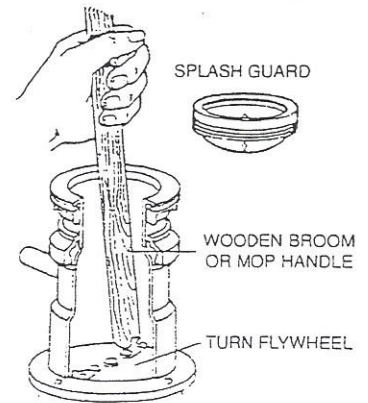
Your disposer is equipped with a thermoelectric control which protects the motor when overloading occurs. When overloaded, the motor will automatically stop.

If disposer stops during use:

- Turn power switch OFF.
- Remove cause of overload. See CAUTION below.
- Wait a few minutes for the overload control to cool.
- Press reset button on bottom of disposer.
- Turn wall switch on to restart disposer.

Overloading can be caused by:

- Packing food waste into disposer rapidly.
- Metallic objects falling into the unit and jamming the flywheel.
- If the disposer will not restart after you have removed the apparent cause, remove the splash guard and use a lever such as a wooden spoon or wooden broom or mop handle to turn the flywheel to free the jam.



CAUTION:

- NEVER PUT YOUR HAND INTO THE DISPOSER.
- BE SURE TO TURN THE WALL SWITCH OFF.
- ALWAYS USE TONGS OR A LARGE SPOON TO REMOVE OBJECTS FROM DISPOSER.

If disposer will not start:

- Turn power switch OFF.
- Remove splash guard
- Use a large screwdriver or broom handle as a lever to rotate flywheel.

If flywheel rotates freely:

- Depress reset button until it clicks and remains depressed.
- If reset button is already depressed, check for a tripped circuit breaker or a burned-out fuse.

If flywheel does not rotate freely:

- Check to see if a foreign object such as a nail or a metal beverage-can tab has lodged between the flywheel and the shredding ring.

If so, dislodge the object by rotating the flywheel with a lever such as a broom handle or large screwdriver and remove the object.

To correct:

- Turn power switch OFF.
- Turn water off
- Wait until flywheel stops
- Remove splash guard
- Remove object with tongs or a long-handled wooden spoon.

IF YOU NEED SERVICE

Major Electrical Appliances Pty Ltd

New South Wales & ACT

PHONE: 02 9621 8488

Victoria & Tasmania

PHONE: (03) 9543 2088

Queensland

PHONE: (07) 3216 1644

South Australia & Northern Territory

Acton Marketing Partners

PHONE: (08) 8234 9099

Western Australia

Hagemeyer (Australia) B.V.

PHONE: (08) 9328 9788

BLANCO

The Art of Living

Major Electrical Appliances Pty Ltd PO Box 6537 Delivery Centre, Blacktown NSW 2148. Australia.
946-0927-000